

# LS 3 scanner

Seamless workflows and precision made easy



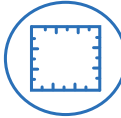
# Introducing the new KaVo LS 3: Full articulator. All colors. Speed and precision.

Working in a dental laboratory, hospital or dental clinic, you no longer have to choose which scanner you need to acquire surface data from patient-specific dental models. The KaVo LS 3 scanner is made for speed and accuracy. Its touch screen interface and connection to DTX Studio™ design software accelerate day-to-day work. Even scanning of a full articulator is made possible by a spacious, open measurement field.



## Full articulator scanning

Whether you use a KaVo articulator or another one – the spacious, open measurement field allows full articulator scanning which simplifies the work in scanner the laboratory.



## Proven accuracy

High-quality scan data of a full jaw can quickly be captured with an accuracy up to 4 µm\*, even when working on the most complex cases.



## Quality scans with speed

Create a complete-jaw scan in under 60 seconds without compromising accuracy or scan data quality.



## Full-color scanning

Equipped with an optical system that captures the fine textures and colors of the dental model.



## Full connectivity

Connected to the DTX Studio™ design software, which offers the flexibility of an open system alongside access to precision-fit NobelProcera restorations.

\* according to ISO 12836

A digital journey with ease, speed and precision.



**Intuitive touchscreen.**

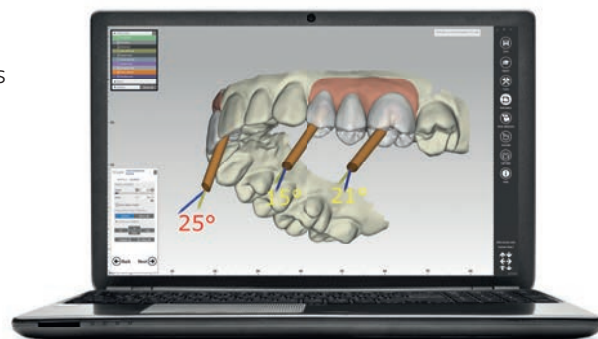
Scans can be managed at the scanner itself, with the easy-to-use, 5-inch touchscreen.

# Efficiency integrated. Connected to the future.

The KaVo LS 3 scanner connects with the DTX Studio™ software – a digital platform for dental treatments connecting workflows from beginning to end.



The scanner works with DTX Studio™ design software (as soon as available in your region). This means fast workflows and simple connection to your trusted CAD/CAM production source – no matter if it is an in-house milling machine or a centralized production center. Be ready for a stream of new enhancements in the expanding DTX Studio™ ecosystem.



# Technical specifications

## Measurement

Measurement field	80 mm width x 60 mm height x 85 mm depth
Camera pixel	2.8 MP
Accuracy (ISO 12836)	Up to 4 µm

## Measurement time\*

Complete jaw	33 seconds
Single tooth	36 seconds
3-unit bridge	36 seconds

## Device

Power supply voltage	100 – 240 VAC, 50/60 Hz
Interface	USB & Ethernet
Weight	20 kilogram

\* Scan time only with color scan deactivated.

## Software

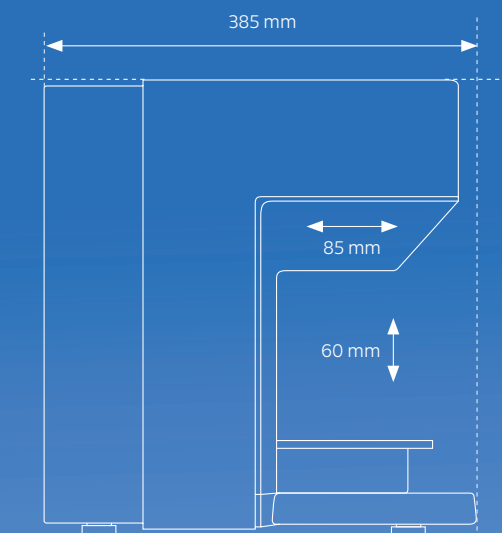
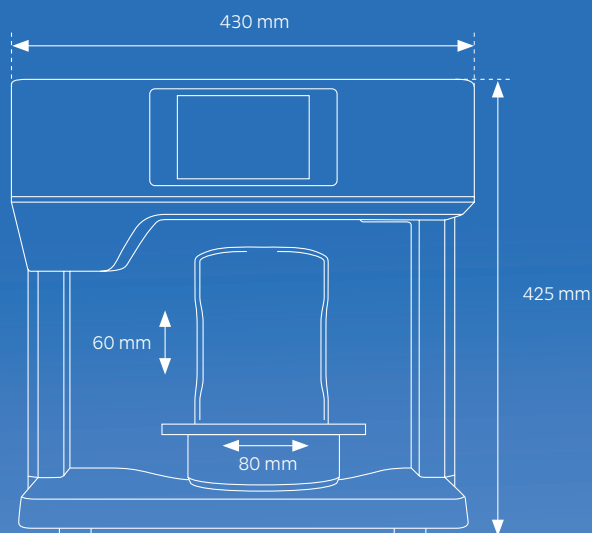
Compatibility	DTX Studio™ design software
System requirements	Recommended: Windows 7, 8.1, 10 64-bit. Quad-Core CPU, 2.8–3.2 GHz. 8/16 GB RAM. USB 2.0/3.0 port. Graphics card with 2GB Video RAM. 5 GB free hard disk space needed. More disk space based on number of cases. Dataset in one case is about 50 MB.

Notes Please refer to software and device installation manuals for detailed requirements

## Ordering

Material no.	0.870.0000
Deliveries include	Accessory case with: 1 power cable 2.5 meters 1 USB 1 Ethernet 1 object holder with knurled screw 1 object holder, flexible, with large plate 1 multiDie adapter 2 packs of adhesive putty pads, ultra-strong, Uhu patafix PROPower or a similar branded product 1 calibration model in plastic box

## Unit Dimensions



# Dental Excellence from KaVo.



## Handpieces

KaVo has always been the leader in creating innovative solutions for dental practitioners. Our vast line of quality handpieces showcase our attention to your level of care while delivering performance that lasts.



## Treatment Units

Beautiful lines, patient comfort and simple operation are just a few of the benefits to the line of KaVo treatment units. Everything you need to perform any procedure— all in one solution.



## Imaging Solutions

Designed with ease-of-use for all clinicians in mind, KaVo now offers dependable and consistent imaging solutions that provide vital information to support accurate diagnosis and predictable treatment planning.



## CAD/CAM

Dental CAD/CAM solutions for premium aesthetic, natural-looking and long-lasting restorative work, suitable for dentists and dental technicians.

The products, features and services shown and described in this catalogue are not available in all countries. All specifications were correct at the time of publication. KaVo Dental GmbH assumes no liability for deviations in colour or form from the illustrations, mistakes or printing errors and reserves the right to make changes to the brochures at any time. Reprinting, even just of excerpts, is only permitted with the consent of KaVo Dental GmbH.

KaVo™ is either registered trademark or trademark of Kaltenbach & Voigt GmbH in the United States and/or other countries. All other trademarks are property of their respective owners.

© 2018 KaVo Dental. All rights reserved. KV00254 /A2.18